

SENIORS

TEAMS

65 GOLD

- 1: MICH LUMBERJACKS 65s
- 2: MP COMPONENTS/BOMB
- 3: BJM BOMB SQUAD
- 4: REGION 65
- 5: MOTOWN STARS
- 31: SIDELINES

55/60 AAA, AA GREEN

- 6: MIDWEST ECLIPSE 55s
- 7: TEAM OG 55s
- 8: P.E.A. GROUP
- 9: BUDDIES SAMPSON/MID MI
- 10: GREY GHOST
- 11: MI LUMBERJACKS 60s

55, 60 MAJOR ORANGE

- 12: MPH LOGISTICS/LARRY'S
- 13: TIFFANYS
- 14: BIG HURT 55s/DRAFT
- 15: PRS SOFTBALL

50AAA RED

- 16: TEAM OG 50s
- 17: PRO V/CSN SPORTS
- 18: DNSS
- 19: ALL IN 50s
- 20: TEAM PRODIGY
- 21: GO SPORTS/3AC/REUTER
- 22: AREA 51
- 23: MI LUMBERJACKS 50s

50 MAJOR BLUE

- 24: LANGING LEGENDS
- 25: BIG HURT 50s/DRAFT
- 26: MI SHOWTIME
- 27: CHI-TOWN ASSAULT
- 28: CRAWFORD CONTRACTING
- 29: REGEE'S RAMS
- 30: MI MAFIA

BOBBY CHAPP TOURNAMENT

POOL PLAY:

FRIDAY:

LAKE ALLIANCE - 515 LAKE DRIVE, POTTERVILLE MI 48876

	<u>1</u>	<u>2</u>	<u>3</u>
5:00PM	1-5	3-31	2-4
6:30PM	2-1	31-5	3-4

SATURDAY:

LAKE ALLIANCE - 515 LAKE DRIVE, POTTERVILLE MI 48876

	<u>1</u>	<u>2</u>	<u>3</u>	<u>4</u>
8:00 AM	26-30	10-8	19-20	16-21
9:30AM	6-9	24-27	7-11	25-28
11:00AM	16-23	17-21	18-20	19-22
12:30PM	18-22	25-27	26-28	29-30
2:00 PM	6-10	17-23	7-9	8-11
3:30 PM		24-29		

SATURDAY:

MT HOPE - 7419 MT. HOPE HWY, GRAND LEDGE MI 48837

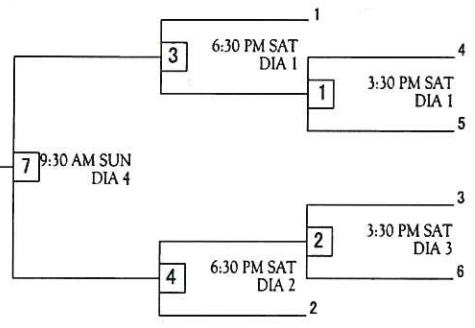
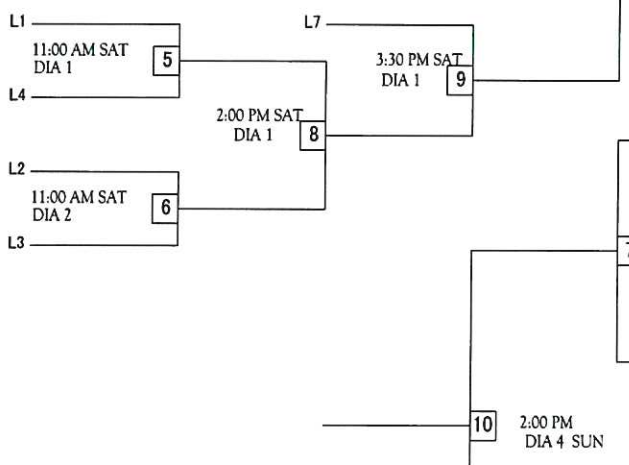
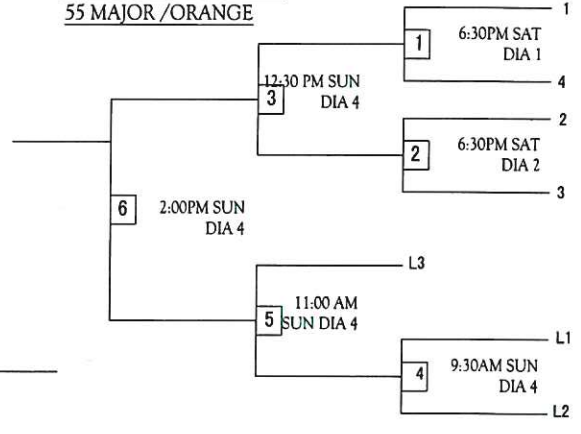
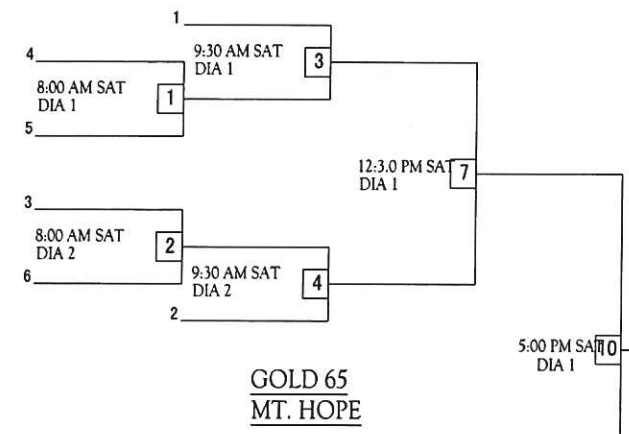
	<u>1</u>	<u>2</u>
12:30 PM		13-15
2:00 PM		14-12
3:30 PM		12-15
5:00PM		13-14
6:30 PM		

PLAYED WITH SSUSA RULES:  
MANAGERS ONLY MAY TEXT MIKE OR GEORGE

MERCY - 20 AFTER 4, 15 AFTER 5 - 60 MINUTE TIME LIMIT IN POOL PLAY (PAGE 69, RULE 23). ALL BRACKET GAMES WILL BE 70 MINUTE GAME TIMES

FORMAT:  
TWO GAMES OF POOL PLAY, THEN TEAMS PROCEED TO SEEDED BRACKETS  
TIE BREAKER: LEAST RUNS ALLOWED; RUN DIFFERENTIAL; COIN TOSS

MT HOPE - SATURDAY  
POTTERVILLE - SUNDAY  
55 MAJOR /ORANGE



55 AAA/GREEN  
POTTERVILLE

